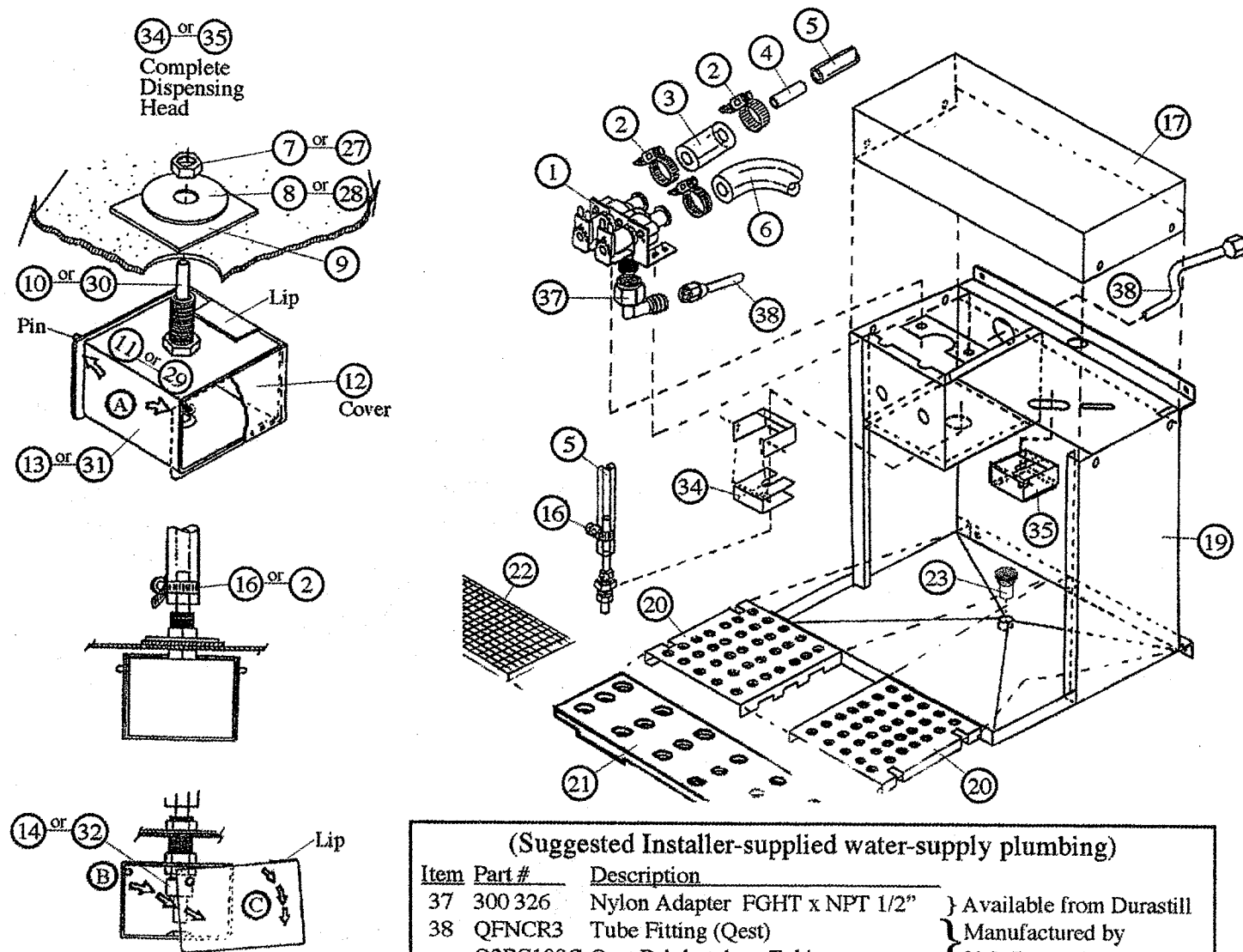


Parts List for Model 400-514 Water Dispensing System

Item	Part #	Description
1	200 386	Double Solenoid Valve
2	200 343	1" Hose Clamp
3	110 036	1/2" I.D. x 2" Long PVC Tube
4	100 057	3/8" O.D. x 1" Long S.S. Sleeve
5	110 038	5/16" I.D. x 10" Long PVC Tube
6	110 035	1/2" I.D. x 18" Long PVC Tube
7	300 242	Lock Nut 3/8" Bulkhead Fitting
8	110 024	Slot Cover
9	110 032	Gasket
10	110 027	3/8" O.D. x 4" S.S. Dispensing Nozzle
11	300 241	3/8" Nozzle Mounting Fitting
12	400 480	Shield Cover
13	400 517	3/8" Dispensing Nozzle Shield
14	300 207	3/8" Brass Compression Nut
15	300 222	3/8" Plastic Ferrule
16	200 054	1/2" Hose Clamp
17	400 477	Bonnet

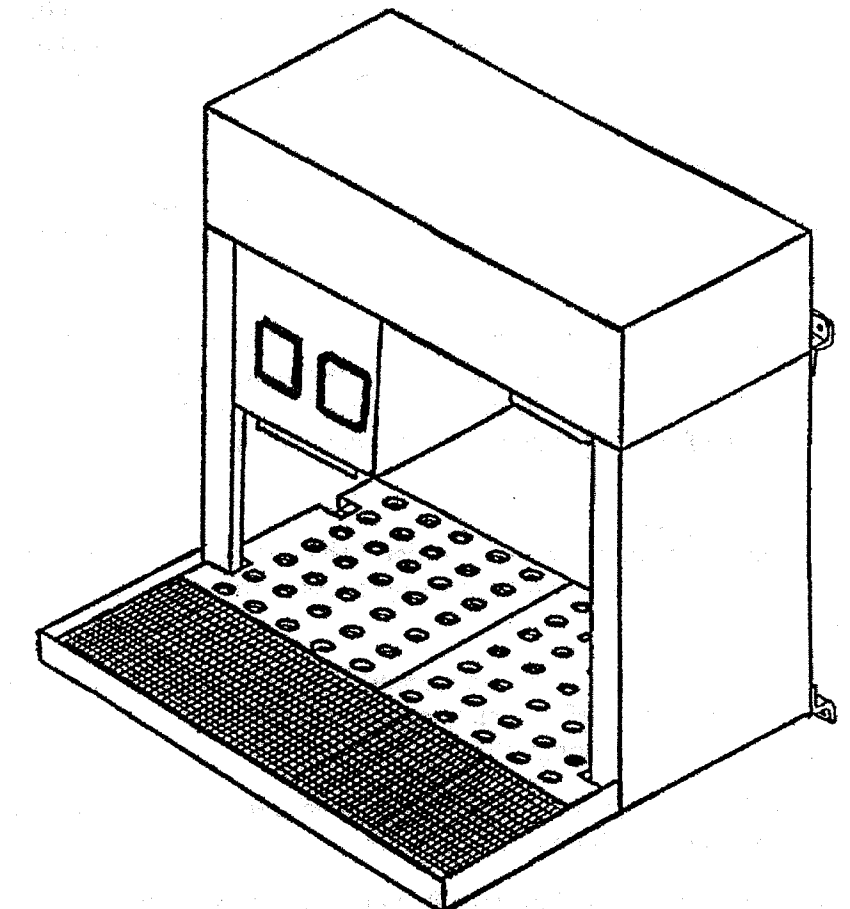
Item	Part #	Description
19	400 476	Water Station Body
20	110 021	Grate (2 required)
21	110 033	Grid Support
22	110 031	Plastic Drain Grid
23	400 520	Drain Screen Assembly
24	200 384	2" square Pushbutton Switch
25	400 515	24-Volt Power Supply Cord
26	200 388	Transformer
27	300 199	Lock Nut 1/2" Bulkhead Fitting
28	110 039	Slot Cover
29	300 200	1/2" Nozzle Mounting Fitting
30	110 037	1/2" x 4" S.S. Dispensing Nozzle
31	400 516	1/2" Dispensing Nozzle Shield
32	300 198	1/2" Brass Compression Nut
33	300 197	1/2" Plastic Ferrule
34	400 518	Complete Dispensing Head - 3/8" Nozzle
35	400 519	Complete Dispensing Head - 1/2" Nozzle



(Suggested Installer-supplied water-supply plumbing)

Item	Part #	Description	Availability
37	300 326	Nylon Adapter FGHT x NPT 1/2"	} Available from Durastill } Manufactured by } U.S. Brass Co. } Plano, Texas
38	QFNCR3	Tube Fitting (Qest)	
	Q2PC100G	Qest Polybutylene Tubing	

INSTALLATION AND SERVICE INSTRUCTIONS



DURASTILL

Controlled Location Water Dispensing Station Model 400 514

This unit is intended for self-service dispensing of quality drinking water in a location that is protected from environmental contamination and where sanitation and safe operation can be assured by attendants on location.

Durastill, Inc
4200 N.E. Birmingham Road
Kansas City, MO 64117

Wall Mounting:

The Model 400 514 Water Dispensing Station may be installed directly on a wall, supported by four bolts or screws through the mounting brackets at the rear of the unit. Be sure the dispenser is mounted solidly to the wall and is capable of supporting a filled 5-gallon jug on the end of the vend shelf.

Clearance behind the Dispenser:

The wall-mounting brackets at the rear of the unit provide a 2" space between the back of the dispenser and the wall. This clearance must be maintained for easy cleaning behind the unit.

Cabinet Mounting:

If the dispenser is installed with a finished cabinet below the vend shelf, it is essential that the bottom of the unit is adequately sealed to the cabinet to prevent the harboring of vermin and to facilitate sanitation. At the floor level, either the cabinet must be sealed to the floor or allow 6" clearance between the bottom of the cabinet and the floor to provide adequate access for cleaning.

Water and Electrical Supply:

The water to be vended must be connected to the inlet fitting on the solenoid only with tubing and fittings suitable for the water being vended. (For example, copper tubing would be unsuitable for distilled drinking water.)

A 2" plastic grommet is provided to seal the entrance to the valve and switch compartment. During the installation, this grommet must be carefully cut to pass the water supply tube while maintaining a proper seal to keep contaminants out of this compartment.

The low-voltage electrical supply from the wall plug-mounted transformer supplied with this unit should be passed through a separate hole in this grommet.

Make certain that a tight seal (no more than 1/16") is provided around the water supply line and electrical service where they enter the back of the dispensing cabinet.

Drain:

A 2" air gap must be provided where the drain line from the dispensing unit discharges into a sewerage system.

Adjustments:

The amount of recess of the nozzle behind the shield of each dispensing head is adjustable by means of the compression nut on the brass mounting fitting. This recess must be maintained to assure that the tip of the nozzle will be protected from accidental contact with any foreign object. This recess or gap between the tip of the nozzle and the shield should be a minimum of 3/8".

The entire dispensing head may be moved in the slot provided so that each head can be properly located to aim the water stream into the neck of most bottles when the bottle is placed in the appropriate corner of the unit. The (left) low dispensing head is for 1-gallon jugs and the right one is for 3-gallon and 5-gallon containers.

Replacement Parts:

To ensure the highest quality water, only use replacement parts approved by Durastill.

Important Notice to Operator:

A prominent easily read sign should be posted above or near the dispenser to inform customers of the exact nature of the water being dispensed. The sign must also recommend that customers use only clean, sanitized containers if the water is to be used for drinking.

Removing and Replacing Cover of Dispensing Nozzle Shield:

Removing Cover:

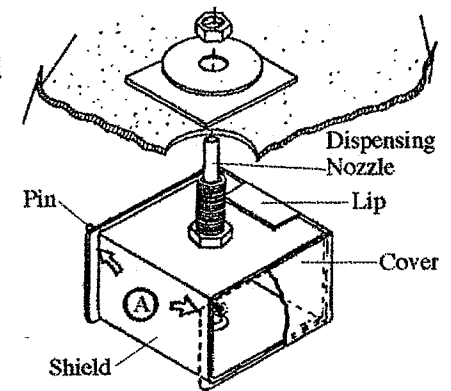
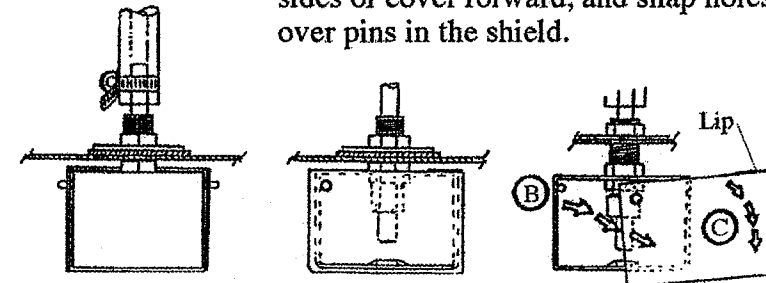
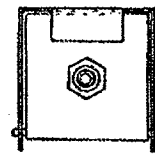
To remove the cover from the dispensing nozzle shield:

- Spread sides of cover apart just enough to release cover from the pins, and
- Move cover back until lip of cover clears top of shield, then move cover down, and
- Remove it completely from the shield.

Replacing Cover:

To replace cover, reverse the above procedure:

Place lip of cover on the rear of the shield, then spread sides of cover forward, and snap holes in the cover over pins in the shield.



Cleaning and Sanitizing the Unit:

The protective cover of the dispensing head may be readily removed as noted above. After cleaning the cabinet, remove cover and wash the dispenser head and nozzle. Sanitize with a chlorine solution of 100 - 200 ppm or equivalent. Flush the inside of the nozzle by dispensing at least a quart of water. Wash, rinse, and sanitize cover and reinstall as explained above.

A fresh chlorine sanitizing solution can be prepared daily by adding 1/2 to 1 tablespoon of unscented laundry bleach to one gallon of clean water.

Regularly remove racks in bottle shelf area. Clean and sanitize cabinet (especially the area near the drain). Remove any foreign matter that has collected on the drain screen. Sanitizing solutions used should be those certified as acceptable for food service areas. Cleaning materials used should not be corrosive to stainless steel. The grates should be thoroughly washed and rinsed away from the unit and returned to position.

The area on the floor under the dispenser (unless it is mounted on a cabinet sealed to the floor) and behind the dispenser should be kept clean and free of anything that would harbor vermin at all times.

To ensure the highest quality drinking water possible, it is recommended that a semi-annual bacteriological analysis be performed on drinking water dispensed from this unit.

Water Flow Path and System Operation:

Water to be dispensed is conducted to the inlet of the solenoid valve. When the user presses the push-button switch energizing a solenoid coil, water flows to one of the dispensing nozzles and into the user's container.

